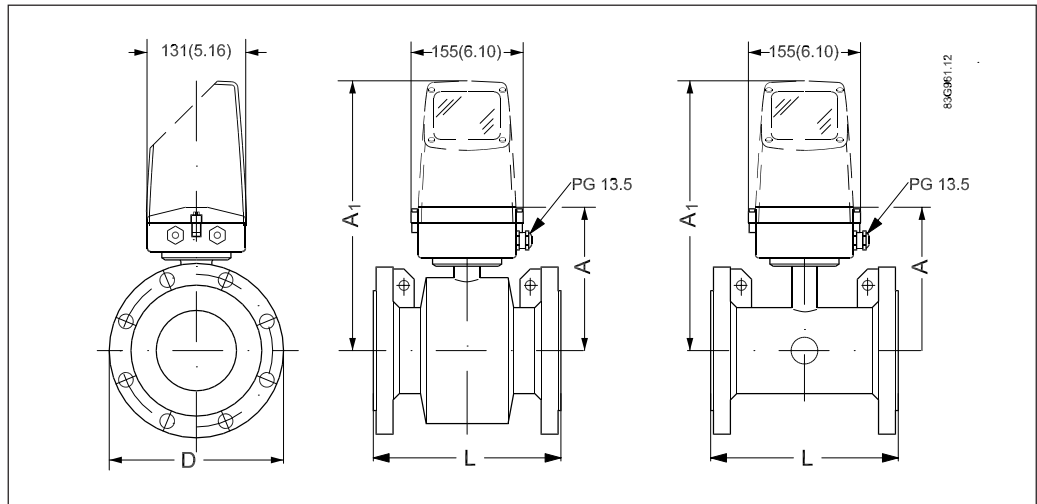


4.3
Sensor MAG 5100 W



Nominal size		A		L									
				PN 10		PN 16		PN 40		Class 150		AWWA	
mm	inch	mm	inch	mm	inch	mm	inch	mm	inch	mm	inch	mm	inch
25	1"	187	7.4	N/A	N/A	N/A	N/A	200	7.9	200	7.9	N/A	N/A
40	1½"	197	7.8	N/A	N/A	N/A	N/A	200	7.9	200	7.9	N/A	N/A
50	2"	188	7.4	N/A	N/A	200	7.9	N/A	N/A	200	7.9	N/A	N/A
65	2½"	194	7.6	N/A	N/A	200	7.9	N/A	N/A	200	7.9	N/A	N/A
80	3"	200	7.9	N/A	N/A	200	7.9	N/A	N/A	200	7.9	N/A	N/A
100	4"	207	8.1	N/A	N/A	250	9.8	N/A	N/A	250	9.8	N/A	N/A
125	5"	217	8.5	N/A	N/A	250	9.8	N/A	N/A	250	9.8	N/A	N/A
150	6"	232	9.1	N/A	N/A	300	11.8	N/A	N/A	300	11.8	N/A	N/A
200	8"	257	10.1	350	13.8	350	13.8	N/A	N/A	350	13.8	N/A	N/A
250	10"	284	11.2	450	17.7	450	17.7	N/A	N/A	450	17.7	N/A	N/A
300	12"	310	12.2	500	19.7	500	19.7	N/A	N/A	500	19.7	N/A	N/A
350	14"	362	14.3	550	21.7	550	21.7	N/A	N/A	550	21.7	N/A	N/A
400	16"	387	15.2	600	23.6	600	23.6	N/A	N/A	600	23.6	N/A	N/A
450	18"	418	16.5	600	23.6	600	23.6	N/A	N/A	600	23.6	N/A	N/A
500	20"	443	17.4	625	24.6	625	24.6	N/A	N/A	680	26.8	N/A	N/A
600	24"	494	19.4	750	29.5	750	29.5	N/A	N/A	820	32.3	N/A	N/A
700	28"	544	21.4	875	34.4	875	34.4	N/A	N/A	N/A	N/A	875	34.4
750	30"	571	22.5	N/A	N/A	N/A	N/A	N/A	N/A	N/A	N/A	937	36.9
800	32"	606	23.9	1000	39.4	1000	39.4	N/A	N/A	N/A	N/A	1000	39.4
900	36"	653	25.7	1125	44.3	1125	44.3	N/A	N/A	N/A	N/A	1125	44.3
1000	40"	704	27.7	1250	49.2	1250	49.2	N/A	N/A	N/A	N/A	1250	49.2
	42"	704	27.7	N/A	N/A	N/A	N/A	N/A	N/A	N/A	N/A	1250	49.2
1100	44"	755	29.7	N/A	N/A	N/A	N/A	N/A	N/A	N/A	N/A	1375	54.1
1200	48"	810	31.9	1500	59.1	1500	59.1	N/A	N/A	N/A	N/A	1500	59.1

D = Outside diameter of flange, see flange tables

D & W

MAG 5100 W weight

Nominal size		PN 10		PN 16		PN 40		Class 150		AWWA	
mm	inch	kgs	lbs	kgs	lbs	kgs	lbs	kgs	lbs	kgs	lbs
25	1"	N/A	N/A	N/A	N/A	4	9	4	9	N/A	N/A
40	1½"	N/A	N/A	N/A	N/A	7	15	6	13	N/A	N/A
50	2"	N/A	N/A	9	20	N/A	N/A	8	20	N/A	N/A
65	2½"	N/A	N/A	10.7	24	N/A	N/A	11	24	N/A	N/A
80	3"	N/A	N/A	11.6	26	N/A	N/A	13	28	N/A	N/A
100	4"	N/A	N/A	15.2	33	N/A	N/A	19	41	N/A	N/A
125	5"	N/A	N/A	20.4	45	N/A	N/A	24	52	N/A	N/A
150	6"	N/A	N/A	26	57	N/A	N/A	29	64	N/A	N/A
200	8"	48	106	48	106	N/A	N/A	56	124	N/A	N/A
250	10"	64	141	69	152	N/A	N/A	79	174	N/A	N/A
300	12"	76	167	86	189	N/A	N/A	110	243	N/A	N/A
350	14"	100	220	116	255	N/A	N/A	131	289	N/A	N/A
400	16"	127	280	144	317	N/A	N/A	165	364	N/A	N/A
450	18"	152	335	178	393	N/A	N/A	176	388	N/A	N/A
500	20"	184	405	232	512	N/A	N/A	235	518	N/A	N/A
600	24"	258	568	343	736	N/A	N/A	345	761	N/A	N/A
700	28"	315	693	350	772	N/A	N/A	N/A	N/A	309	681
750	30"	N/A	N/A	N/A	N/A	N/A	N/A	N/A	N/A	480	1058
800	32"	410	904	442	975	N/A	N/A	N/A	N/A	421	928
900	36"	512	1129	550	1213	N/A	N/A	N/A	N/A	539	1188
1000	40"	650	1433	732	1614	N/A	N/A	N/A	N/A	670	1477
	42"	N/A	N/A	N/A	N/A	N/A	N/A	N/A	N/A	700	1544
1100	44"	N/A	N/A	N/A	N/A	N/A	N/A	N/A	N/A	1100	2426
1200	48"	990	2183	1106	2439	N/A	N/A	N/A	N/A	1030	2271

**The effect of temperature on working pressure
MAG 5100 W**

Metric (Pressures in bar)					
Sizes 25 mm, 40 mm & > 300 mm					
Flange spec.	Flange rating	Temperature °C			
		-5	10	50	90
EN 1092-1	PN 10	10.0	10.0	9.7	9.4
	PN 16	16.0	16.0	15.5	15.1
	PN 40	40.0	40.0	38.7	37.7
ANSI B16.45	150 lb	19.7	19.7	19.3	18.0
AWWA C-207	Class D	10.3	10.3	10.3	10.3
Sizes 50 mm to 300 mm					
EN 1092-1	PN 10	10.0	10.0	10.0	8.2
	PN 16	10.0	16.0	16.0	13.2
	PN 40	10.0	40.0	40.0	32.9
ANSI B16.45	150 lb	10.0	19.7	19.7	16.2

Imperial (Pressures in Psi)					
Sizes 1", 1½", & > 12"					
Flange spec.	Flange rating	Temperature °F			
		23	50	120	200
EN 1092-1	PN 10	145	145	141	136
	PN 16	232	232	225	219
	PN 40	580	580	561	547
ANSI B16.45	150 lb	286	286	280	261
AWWA C-207	Class D	150	150	150	150
Sizes 2" to 12"					
EN 1092-1	PN 10	145	145	145	119
	PN 16	145	232	232	191
	PN 40	145	580	580	477
ANSI B16.45	150 lb	145	286	286	235